

B



天津市博雷阀门有限公司  
TIANJIN BOLLEY VALVE CO. LTD.

BOL SERIES ELECTRIC  
ACTUATORS

BOL 系列电动执行器



**建百年博雷阀门 创国际品牌**

BUILT IN ONE HUNDRED BOLLEY VALVE  
THE FAR EAST AND INTERNATIONAL BRAND

# COMPANY PROFILE

## 公司简介

天津市博雷阀门有限公司是一家集开发、生产、销售于一体的阀门公司，具有多年专业设计制造阀门丰富经验，技术力量雄厚，生产工艺先进，拥有现代化机械加工中心和检测设备。

公司主导产品有：闸阀、截止阀、蝶阀、球阀、止回阀、调节阀、减压阀、隔膜阀、旋塞阀、柱塞阀、疏水阀、安全阀、美标阀、水力控制阀等80多种品种、300多个系列、几千种规格。产品采用GB、JB、HG、API、ANSI、DIN、JIS、BS等国内外先进标准设计制造。通径从1/4"至96"(DN6-2400 mm)、压力从150LB至2500LB (2MPa-42MPa)、工作温度为-196℃至800℃。主要材质有灰铸铁、球墨铸铁、铜、碳素钢、不锈钢、合金钢、低温钢、铬钼钢、沉淀硬化钢及其他特殊钢材。阀门驱动方式有：手动、齿轮传动、电动、气动和液动；连接方式有：焊接、法兰、螺纹、对夹、卡套等系列产品。

多年来，公司产品广泛应用于电力、石油、化工、冶金、造纸、蒸汽、制药、燃气、环保、染料、供热、城建、污水处理等行业，产品已在全国各地享有盛誉，并远销东南亚国家和地区，深受广大客户好评。

Tianjin Bolley Valve Co., Ltd. is a collection development, production and sales of integrated valve company, has many years of professional design and manufacture of valves, rich experience, strong technical force, advanced production technology, with modern machining centers and testing equipment.

Our main products are: Gate Valve, Globe Valve, Butterfly Valve, Ball Valve, Check Valve, Control Valve, Relief Valve, Diaphragm Valve, Plug Valve, Plunger Valve, Drain Valve, Safety Valve, American Standard Valves, Hydraulic Control Valves and other 80 kinds of varieties, more than 300 series, thousands of specifications. The products are designed and manufactured by GB, JB, HG, API, ANSI, DIN, JIS, BS and other advanced standards at home and abroad. The diameter is from 1/4 "to 96" (DN6-2400mm), the pressure is from 150LB to 2500LB (2MPa-42MPa), and the working temperature is from -196℃ to 800℃. The main materials are cast iron, ductile iron, copper, carbon steel, stainless steel, alloy steel, low temperature steel, chrome molybdenum steel, precipitation hardening steel and other special steel. The valve drive methods are: manual, gear drive, electric, pneumatic and hydraulic; connection methods are: welding, flange, thread, pairs of clamps, clamps and other products.

Over the years, the company's products are widely used in electric power, petroleum, chemical industry, metallurgy, papermaking, steam, gas, pharmaceutical, environmental protection, dyes, heating, urban construction, sewage treatment and other industries, products have been renowned throughout the country and exported to Southeast Asian countries and regions, well received by our customers.

**我们力求每一个环节都做到精益求精，  
争做控制系统行业之美好明天的领航者！**

We Strive To Achieve Excellence In Every Aspect,  
To Control System Of Industry Leader A Better Tomorrow!

# BOL 系列

## 电动执行器

BOL SERIES ELECTRIC ACTUATORS



# BOL 系列 电动执行器

## BOL SERIES ELECTRIC ACTUATORS



01/02

### ◆ 功能特点 Function Features

- 功能强劲:  
智能型、比例型、开关型、各类型号输出;  
全行程时间15秒、30秒、60秒等供您选择;  
智能型控制模块集成于电动装置本体中,无须外接定位器;
- 可靠性能:  
特殊的铜合金锻造一体化蜗轮强度高、耐磨性好、传动精度高;  
优质进口轴承、电器元件等关键零部件提高了使用寿命;  
通过1500V耐压测试, F级绝缘电机安全可靠;  
IP67高标准防护等级;
- 使用方便:  
免加油、免点检、防水防锈、任意角度安装;  
采用单相电源, 外接线路简单, 并有AC(24、110、380) V、DC(12、24、220)V供选择;
- 唯美外观:  
铝合金压铸外壳, 精确流畅;  
体积和重量仅相当于传统的35%左右。

- Powerful function:  
• Choose Intelligent type, proportion type or switch type to output all kinds of signal;  
• The whole stroke time as 15 seconds, 30 seconds, 60 seconds, etc are available for your choice;  
• Intelligent control modules are integrated in the body of electric devices, no need for installing locator;
- Reliable performance:  
• Special copper alloy forging integration worm wheel, intensity height, good abrasion resistance, high transmission accuracy;  
• Use high-quality import bearings, electrical components and other key components to improve the service life;  
• Passed 1500V electric strength test, class F insulation electrical machinery is safe and reliable;  
• IP67 high standards protection grade;
- Easy to use:  
• Non refueling, non point inspection, waterproof, anti-rust, installed at any angles;  
• Use single-phase power supply, the external circuit is simple, and AC(24, 110, 380)V, DC(12, 24, 220) V are available for your choice;
- Beautiful appearance:  
• Aluminum alloy die casting shell, fine and smooth;  
• The size and weight is only about 35% of the traditional one.



控制线路区  
Control line area



蜗轮  
Worm gear



ISO5211连接盘  
ISO5211 Actuator mounting

### ◆ 技术参数及扭矩 Technical Data and Torque

| 型号 Model                       | BOL 05  | BOL 10 | BOL 15 | BOL 25 | BOL 50 | BOL 100 | BOL 200 |
|--------------------------------|---|--------|--------|--------|--------|---------|---------|
| 电源 Power                       | AC24V、AC110V、AC220V、AC380V、AC400V、DC24V   |        |        |        |        |         |         |
| 力矩 Torque                      | 50N.M   | 100N.M | 150N.M | 250N.M | 500N.M | 1000N.M | 2000N.M |
| 行程时间 Stroketime                | 12/25S  | 15/30S |        |        |        | 50/100S |         |
| 电机功率 Motor power               | 15W   | 25W    | 35W    | 45W    | 90W    | 110W    | 110W    |
| 保护 Protection                  | 电机过热保护 ( 120°C ) Motor overheating protection ( 120°C )   |        |        |        |        |         |         |
| 转动角度 Angle of rotation         | 0-90°   |        |        |        |        |         |         |
| 环境温度 Environmental temperature | -10~+60°C   |        |        |        |        |         |         |
| 耐压值 Withstand voltage          | 1500V   |        |        |        |        |         |         |
| 启动电流 Starting current          | 0.25A   | 0.6A   | 0.68A  | 0.76A  | 1.2A   | 1.36    | 1.36    |
| 工作电流 Working current           | 0.25A   | 0.52A  | 0.55A  | 0.70A  | 1.15A  | 1.28A   | 1.28A   |
| 防护等级 Protection grade          | 相当于IP67标准 Equivalent of IP67 standard   |        |        |        |        |         |         |
| 限位 Limit                       | 电动时: 全开全闭极限开关; 手动时: 机械挡块<br>Electric: Fully open to fully closed limit switch; Manual: Mechanical block |        |        |        |        |         |         |
| 重量 Weight                      | 2.8Kg   | 4.2Kg  | 4.5Kg  | 7.2Kg  | 7.5Kg  | 12.5Kg  | 12.5Kg  |
| 输入信号 Input signal              | 4-20mA 0-10V 1-5V   |        |        |        |        |         |         |
| 输出信号 Output signal             | 4-20mA 0-10V 1-5V   |        |        |        |        |         |         |

◆ 标准规格 Standard Specification

| 外壳 Shell  | 防水级别 Waterproof level IP67,NEMA4 and 6  |   |
|---|---|---|
| 电机电源<br>Motor power                                 | 标准: 220V AC单相<br>可选: 110V AC单相, 380/440V AC<br>三相: 50/60Hz, ±10% 24V DC/110V DC/220V DC     | Standard:220V AC Single-phase<br>Optional:110V AC Single-phase,380/440V AC<br>Three-Phase,50/60Hz, ±10%24V DC/110V DC/220V DC |
| 电机 Motor  | 鼠笼式异步电机 Squirrel-cage asynchronous motor  |   |
| 限位开关 Limit switch                                   | 开/关, 各1个 SPDT,250VAC10A Open/close, each 1SPDT,250VAC10A                                    |   |
| 辅助限位开关 Auxiliary limit switch                       | 开/关, 各1个 SPDT,250VAC10A Open/close, each 1SPDT,250VAC10A                                    |   |
| 行程 Stroke   | 90° ±10°  |   |
| 失速防护/操作温度<br>Stall protection/operating temperature | 内置过热保护, 开115°C ±5°C/关97°C ±5°C<br>Inside overheating protection,open115 ±5°C/close97°C ±5°C |   |
| 指示器 Indicator                                       | 连续的位置指示刻度 Continuous position indicating scale  |   |
| 手动操作 Manual operate                                 | 机械手柄(可选装手轮) Mechanical handle (Handwheel is optional)                                       |   |
| 自锁装置 Self-locking device                            | 蜗轮,螺杆机构提供自锁 Provide self-locking by worm and worm gear                                      |   |
| 机械限位 Mechanical limit                               | 2个外部调整螺栓 2 piece of external adjustable bolt  |   |
| 接线孔 Conduit entry                                   | 2个M18 2 Pieces M18  |   |
| 环境温度 Ambient temperature                            | -10°C~+60°C   |   |
| 润滑 Lubrication                                      | 铝基润滑脂(EP型) Aluminum base grease (EP type)   |   |
| 材料 Material   | 钢, 铝合金, 铝青铜, 聚碳酸酯<br>Steel, aluminum alloy, aluminum bronze, polycarbonate                  |   |
| 环境湿度 Ambient humidity                               | 最大90% RH Max 90% RH 非凝结 Non condensation  |   |
| 抗震性能 Anti-vibration performance                     | XYZ10g,0.2~34Hz,30分钟 XYZ10g, 0.2~34Hz, 30 Minutes   |   |
| 外涂层 External coating                                | 干粉, 环氧聚酯 Dry powder, epoxy polyester  |   |

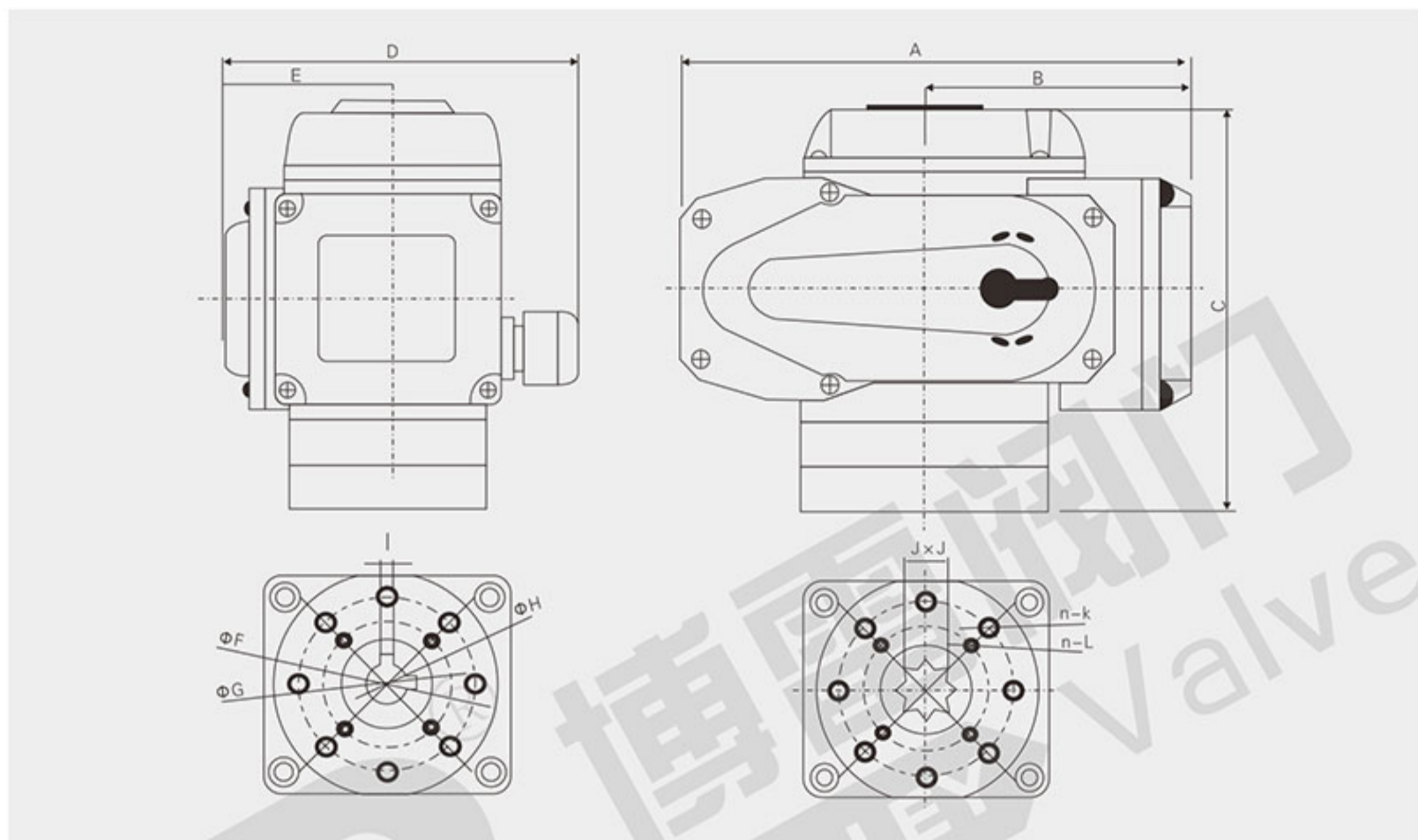
◆ 可选规格 Optional Specifications

| 编号 No. | 可选配置 Optional configuration   | 备注 Remarks                                 |
|--------|---|--|
| 1      | 加热器 Heater  | 除BOL-03外 Except BOL-03<br>BOL系列 BOL Series |
| 2      | 防水执行器 (P6B, 10M, 250HR) Waterproof actuator (IP68, 10M, 250HR)  | BOL系列 BOL Series                           |
| 3      | 电位计 (1K-10K) Potentiometer (1K-10K)   | 除BOL-03外 Except BOL-03                     |
| 4      | 比例控制单元(输入, 输出信号)4-20mA DC/1-5V/1-10V<br>Proportional control unit (input, output signal) 4-20mA DC/5V/1-10V               | 除BOL-03外 Except BOL-03                     |
| 5      | 现场控制单元(就地控制 开/停/关选择开关, 就地/远程切换)<br>Field control unit (local control open/stop/close switch, local/remote control switch) | 除BOL-03外 Except BOL-03                     |
| 6      | 行程 Stroke 120°, 180°, 270°  | BOL系列 BOL Series                           |
| 7      | 直流电机 (24V DC) DC motor (24V DC)   | 除BOL-03外 Except BOL-03                     |
| 8      | 电流位置传感器(输出4-20mA DC) Current position sensor (Output 4-20mA DC)   | 除BOL-03外 Except BOL-03                     |
| 9      | 断信号复位 Self-reset when feed back failure   |  |

# BOL 系列 电动执行器

## BOL SERIES ELECTRIC ACTUATORS

### ◆ 外观尺寸 Appearance Size



| 型号<br>Model | A   | B    | C   | D   | E  | F    | G    | H     | I  | J×J   | K     | L     |
|-------------|-----|------|-----|-----|----|------|------|-------|----|-------|-------|-------|
| BOL-05      | 165 | 72   | 152 | 134 | 67 | Φ50  | Φ36  | Φ12.8 | 3  | 11×11 | 4-M6  | 4-M6  |
| BOL-10      | 204 | 98.5 | 159 | 140 | 75 | Φ70  | Φ50  | Φ16   | 5  | 14×14 | 4-M8  | 4-M6  |
| BOL-15      | 204 | 98.5 | 159 | 140 | 75 | Φ70  | Φ50  | Φ19.1 | 5  | 17×17 | 4-M8  | 4-M6  |
| BOL-25      | 257 | 119  | 193 | 178 | 90 | Φ102 | Φ70  | Φ22.3 | 5  | 22×22 | 4-M10 | 4-M8  |
| BOL-50      | 257 | 119  | 193 | 178 | 90 | Φ102 | Φ70  | Φ28.8 | 5  | 22×22 | 4-M10 | 4-M8  |
| BOL-100     | 280 | 153  | 160 | 172 | 90 | Φ125 | Φ102 | Φ31.8 | 8  | 36×36 | 4-M12 | 4-M10 |
| BOL-200     | 280 | 153  | 160 | 172 | 90 | Φ140 | Φ125 | Φ33.4 | 10 | 36×36 | 4-M14 | 4-M12 |



开关型  
Switch type



调节型  
Modulating type





**天津市博雷阀门有限公司**  
TIANJIN BOLLEY VALVE CO. LTD.

地址(Add): 天津市南开区密云一支路

电话(Tel): 022-27575088

传真(Fax): 022-87880319

Http: //www.bl-bolley.com

E-mail: cn@bolley.cn